

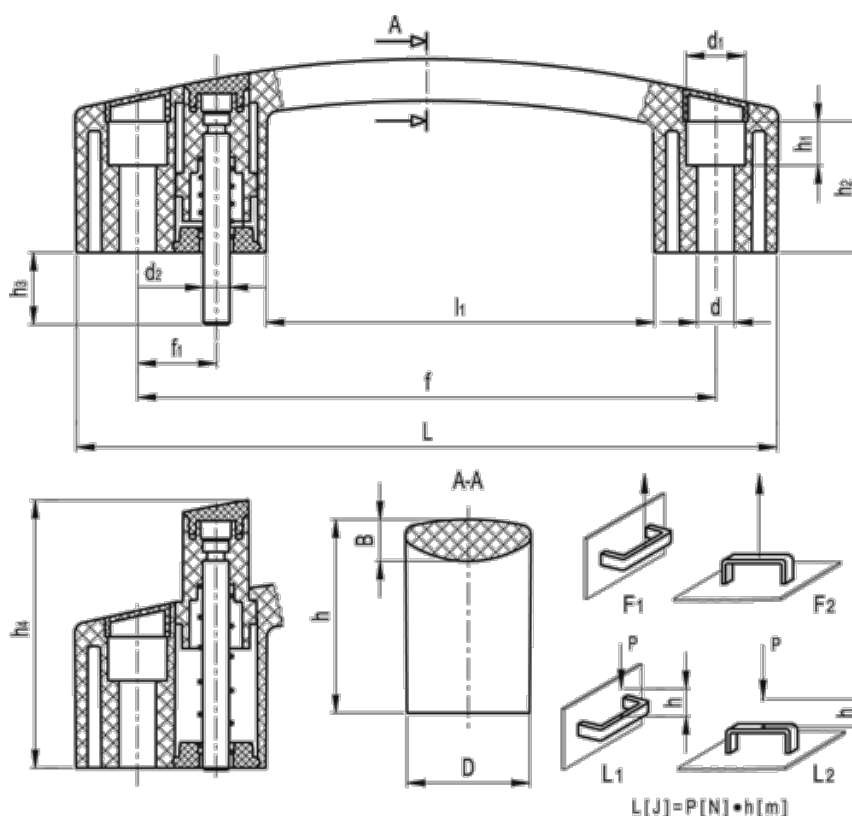
Data Sheet



Article number: 23102605313

Description: E+G Handle with lock
EBR.150-8-C3 Grå

Measures



| | | | | | |
|--------|---------------|--------|--------|------------|------|
| B | = 8.5 | F2 (N) | = 2900 | L1 (J) | = 35 |
| d | = 8.5 | h | = 44 | L2 (J) | = 8 |
| D | = 28 | h1 | = 10 | Weight (g) | = 90 |
| d1 | = 13.5 | h2 | = 30 | | |
| d2 | = 6 | h3 | = 16 | | |
| f | = 132 +/- 0,5 | H4 | = 56 | | |
| F1 | = 18 | L | = 160 | | |
| F1 (N) | = 2800 | l1 | = 89 | | |